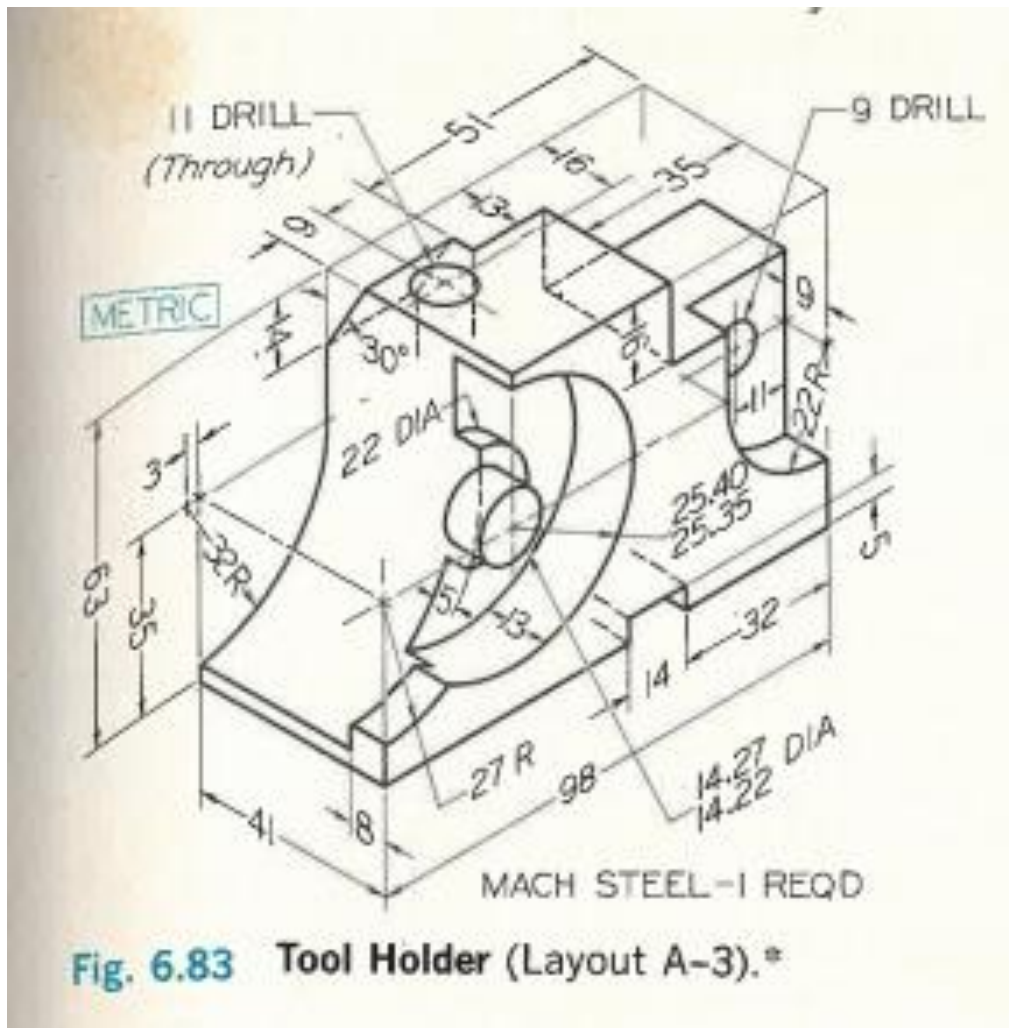


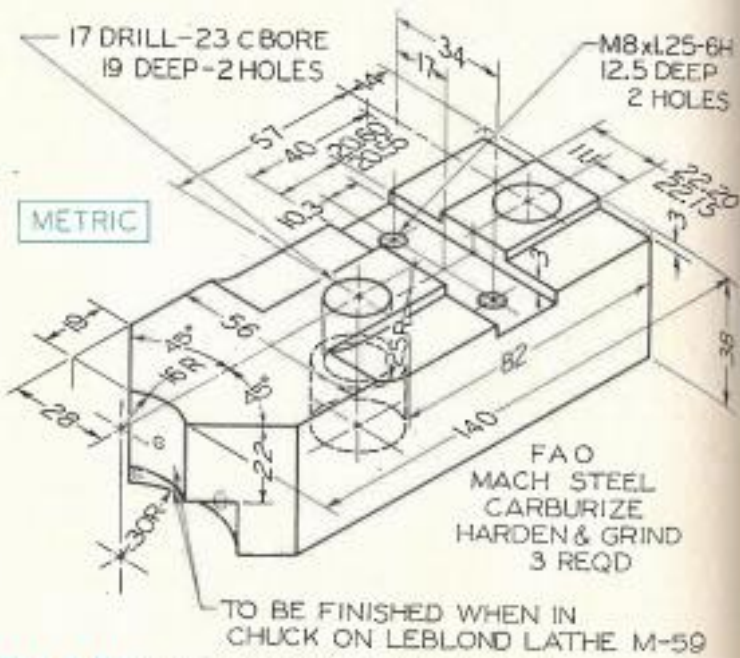
## Choose one of the following Parts to Design.

When Completed See Mr. Jourden for Layout of the Part and printing.

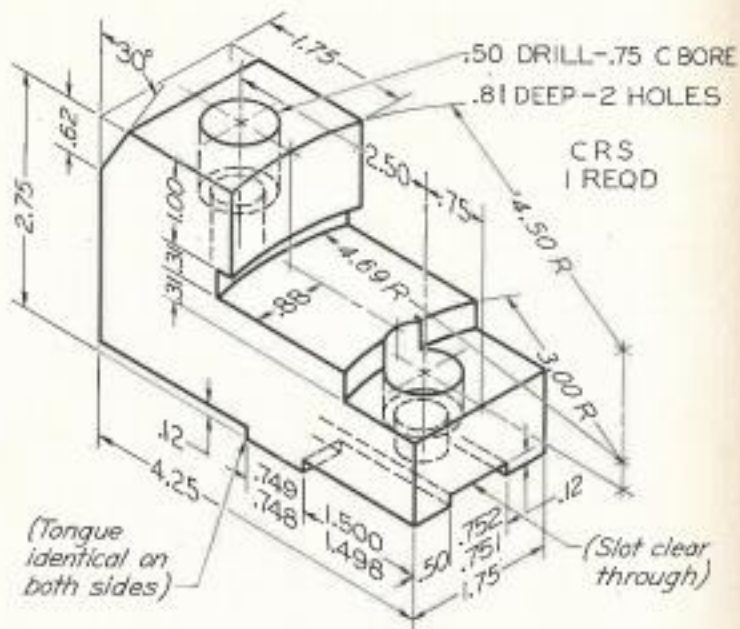
Metric Drawings: Change Units: File > Prepare > Drawing Units Change > Select millimeter Kilogram Second > Click Set > Select Ok > Close out of the menus



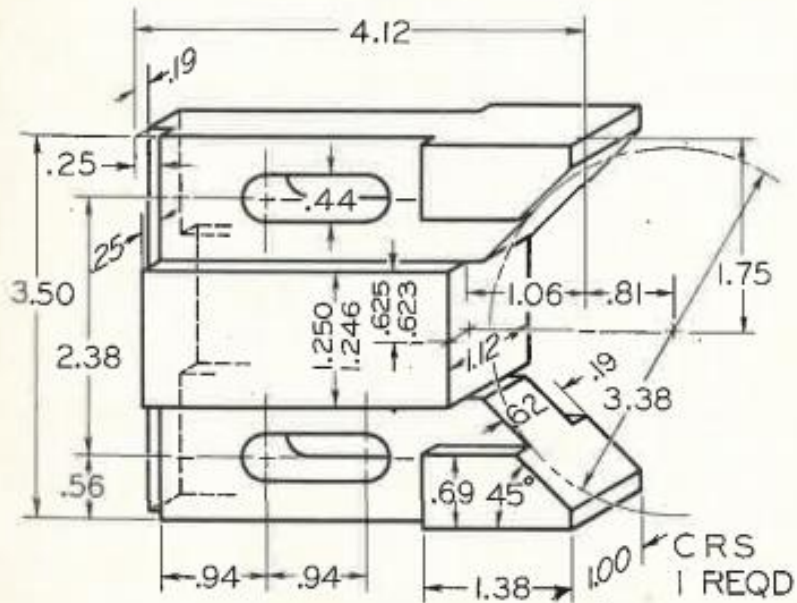




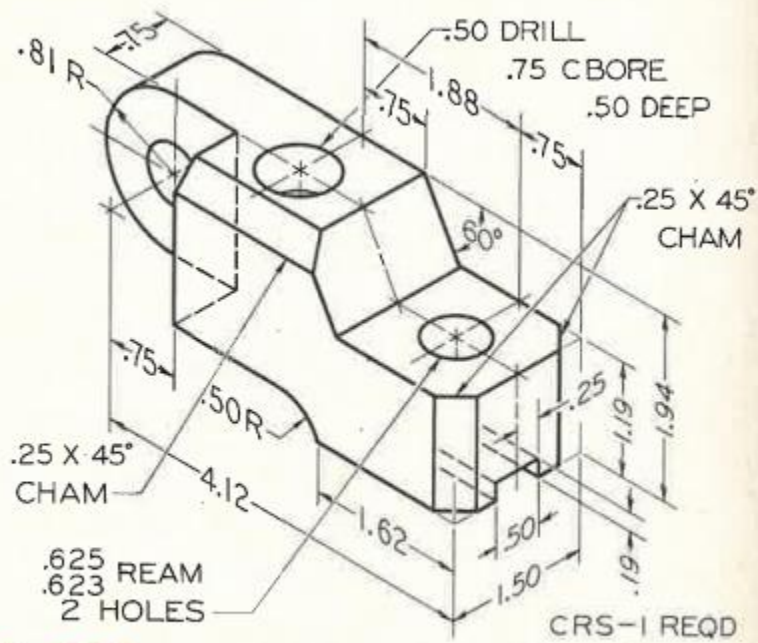
**Fig. 6.92 Chuck Jaw (Layout B-3).\***  
For threads, see §§13.9 and 13.10.



**Chuck Jaw (Layout A-3).\***



**Fig. 6.87** Locating V-Block (Layout A-3).\*



**Fig. 6.80** Vibrator Arm (Layout A-3).\*