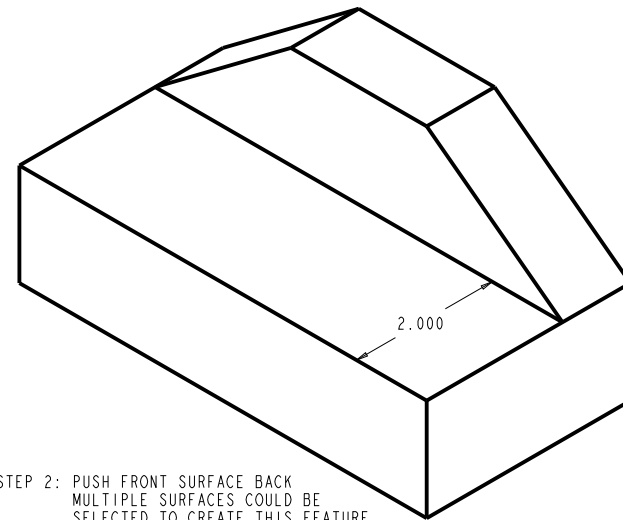
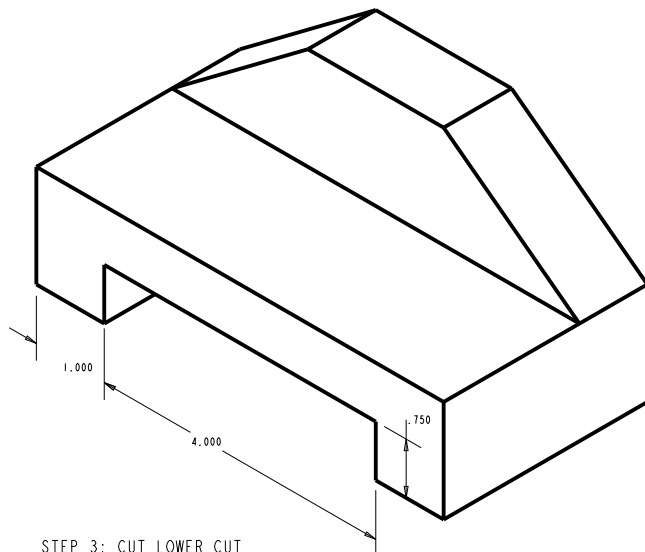


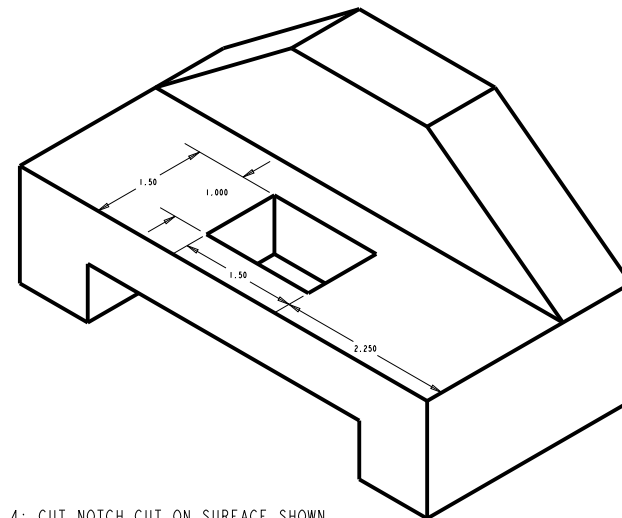
STEP 1: DESIGN PROFILE  
FRONT DATUM  
NOTE: ANGLE CUT SAME ON BOTH SIDES



STEP 2: PUSH FRONT SURFACE BACK  
MULTIPLE SURFACES COULD BE  
SELECTED TO CREATE THIS FEATURE



STEP 3: CUT LOWER CUT  
CUT GOES IN 1.500



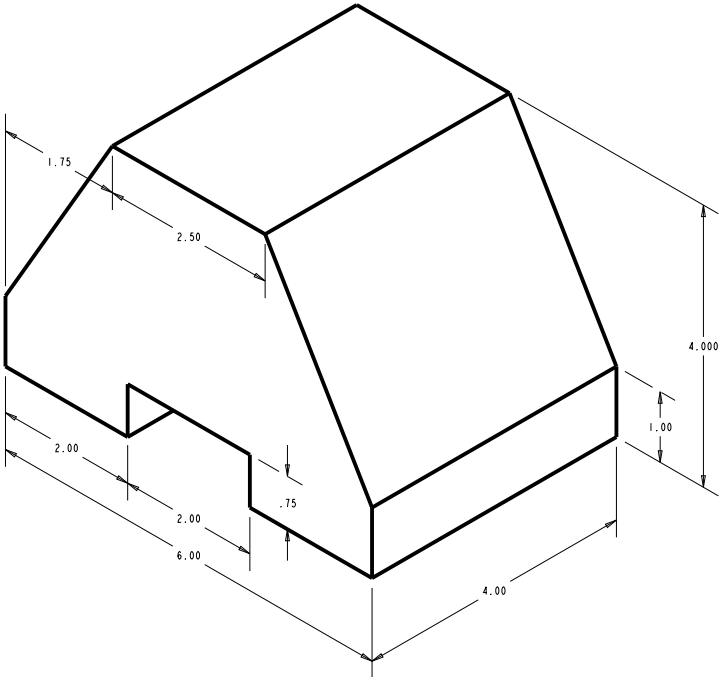
STEP 4: CUT NOTCH CUT ON SURFACE SHOWN

NAME :  
BRIGHTON HIGH SCHOOL

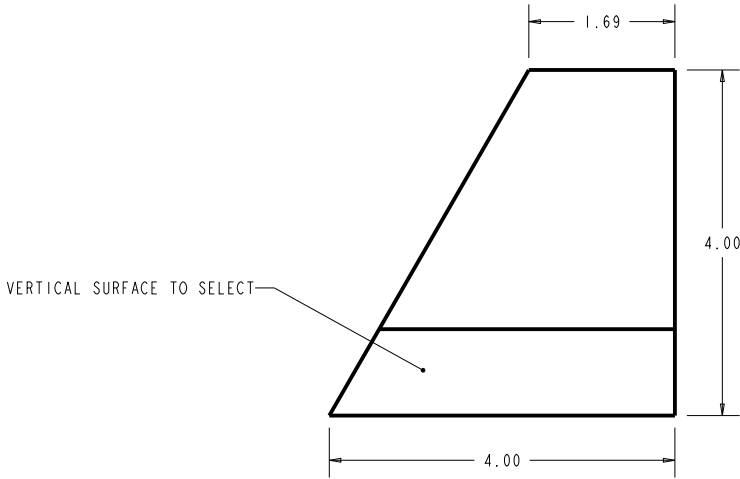
SCALE :  
HOUR :

DIRECTIONS

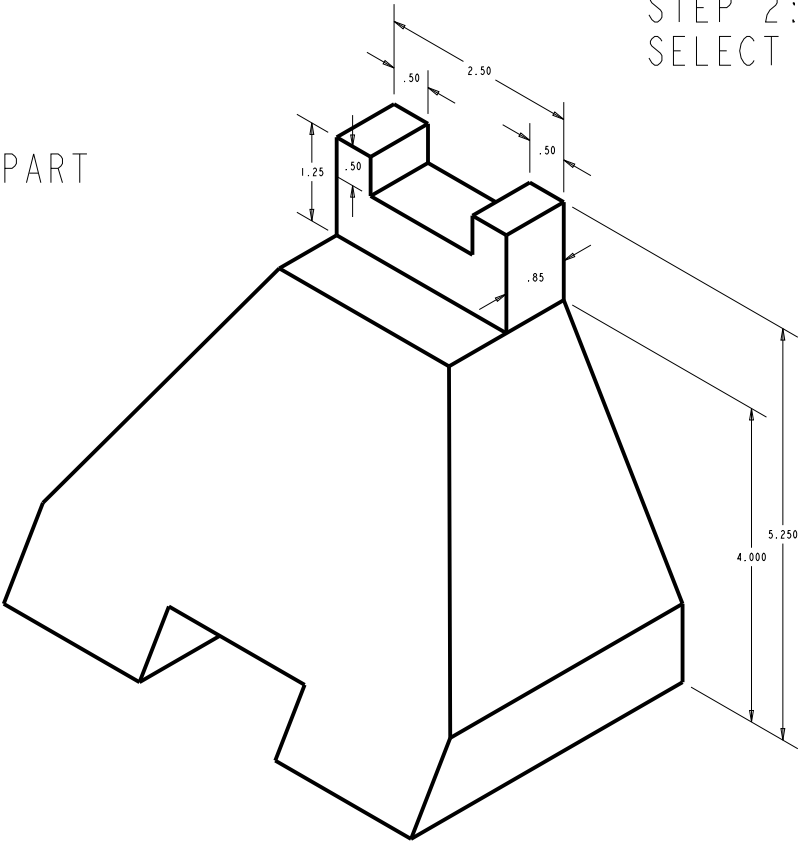
PART: ANGLE REST



STEP 1: DESIGN PROFILE OF PART FROM FRONT DATUM



STEP 2: RIGHT SIDE VIEW CUT  
SELECT RIGHT VERTICAL SURFACE



STEP 3: ADD EXTRUDE AND SUBTRACT MATERIAL