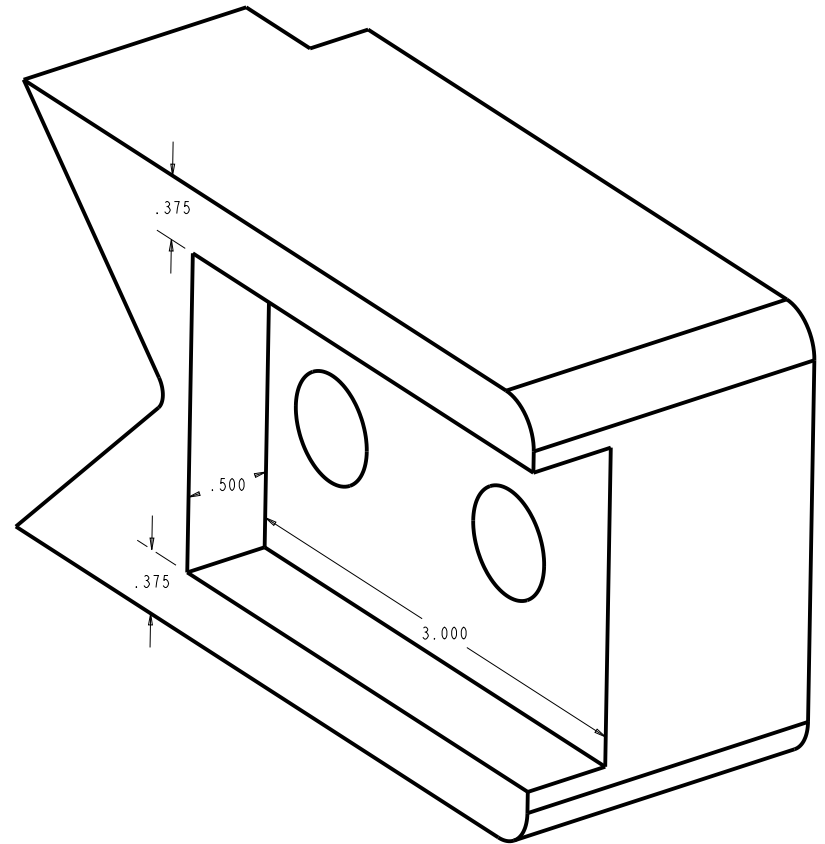
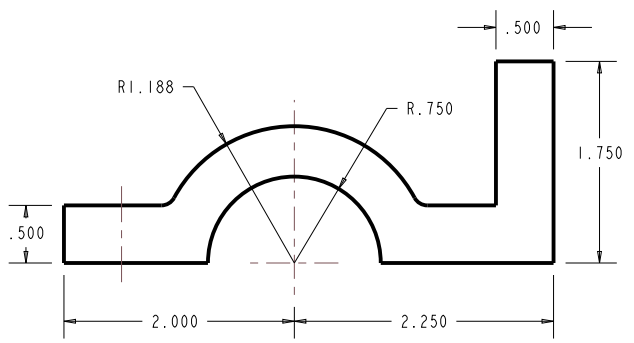
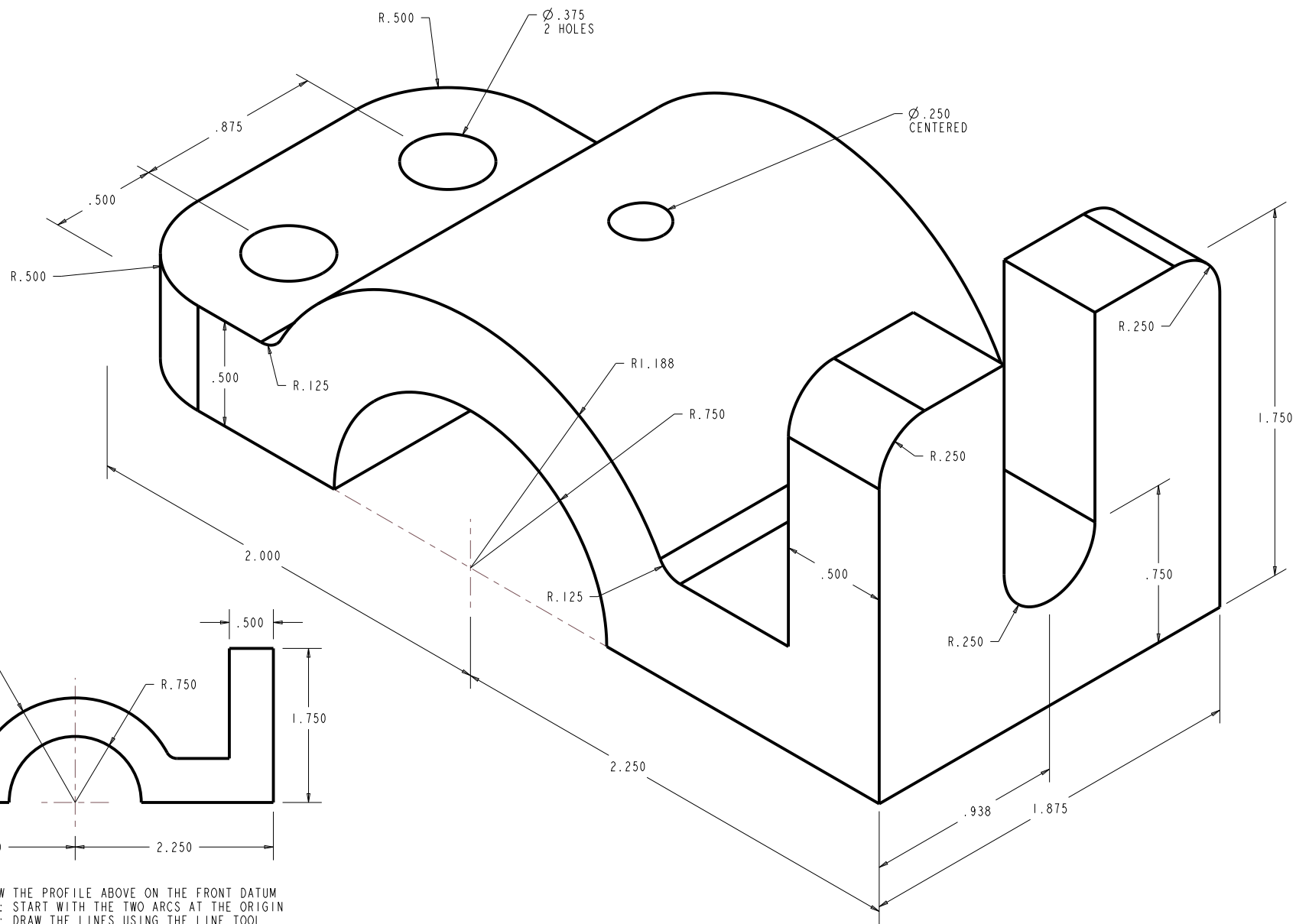


DEFAULT ORIENTATION



BACK VIEW



STEP 1: DRAW THE PROFILE ABOVE ON THE FRONT DATUM  
 1ST: START WITH THE TWO ARCS AT THE ORIGIN  
 2ND: DRAW THE LINES USING THE LINE TOOL  
 AND SET MEASURES AS SHOWN ABOVE  
 STEP 2: EXTRUDE 1.875  
 STEP 3: CUT ALL OTHER FEATURES