

VISIBLE GAP BETWEEN PARTS SHOULD BE ROUGHLY SAME SIZE

2

BALLOON NUMBERS
 ANNOTATE TAB > ANNOTATE MENU > BALLOON NOTE
 > MENU MANAGER > WITH LEADER > MAKE NOTE
 END MARKER: SELECTION USING AUTOMATIC
 EDGE = ARROWHEAD
 SURFACE = DOT

1

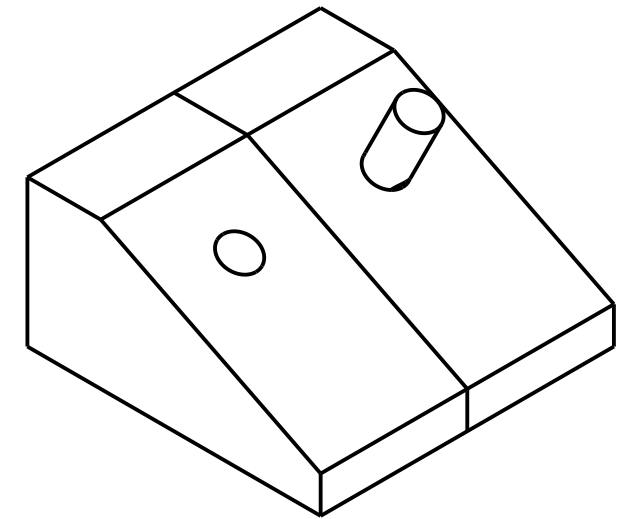
TITLE CAN HELP TO ORGANIZE VIEWS

BASE PLUG EXPLODED VIEW

GRID LINES CAN HELP SEPERATE OUT VIEWS
 BE SURE TO KEEP VIEW BOXES RECTANGULAR
 LINE THICKNESS = .03 (SELECT LINE > LINE STYLE > LINE WEIGHT > .03)

PARTS LIST			
PART #	PART NAME	QTY.	SHEET
1	BASE PIECE	2	2
2	PLUG	1	2

SHEET DIMENSIONS CAN BE FOUND ON



BASE PLUG ASSEMBLED VIEW

SCALE FOR COVER PAGE IS
 N/A (NON-APPLICABLE)

SH = SHEET
 THIS DRAWING IS 1 OF 2

BRIGHTON HIGH SCHOOL
 BRIGHTON, MI

DIMENSIONAL TOLERANCE	
.x	= ± .1
.xx	= ± .05
.xxx	= ± .005
ANGLES	= ± 1°

DWG:		SH: 1-2	
DWG BY:		HR:	
DATE:	SCALE: N/A		