

LEVEL 1 FINAL

- 1.DESIGN EACH PART
2. ASSEMBLE PARTS (INCLUD BOLT AND NUTS IN FINAL ASSEMBLY)
- 3.CREATE COVER PAGE MUST INCLUDE AT LEAST
EXPLODED ASSEMBLY
PICTORIAL ASSEMBLY
ORTHOGRAPHIC SECTION
BOM CHART (NOTE NUTS AND BOLTS ARE LISTED
BUT NOT LAID OUT)
- 4.LAYOUT OF PARTS AND DIMENSIONS

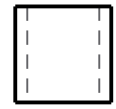
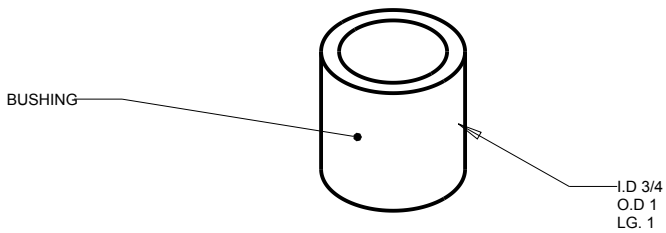
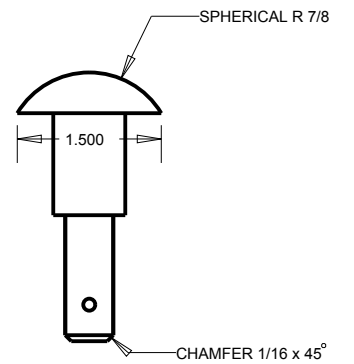
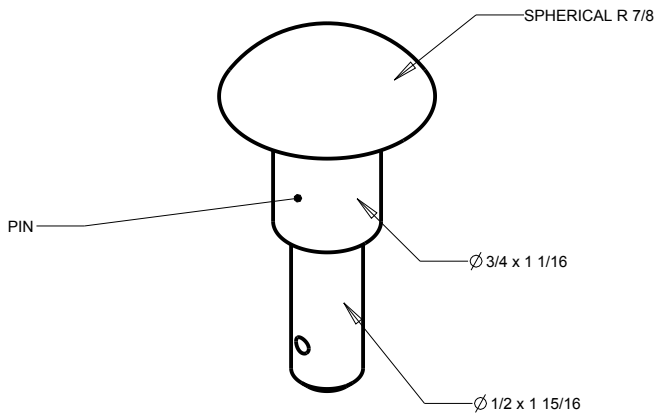
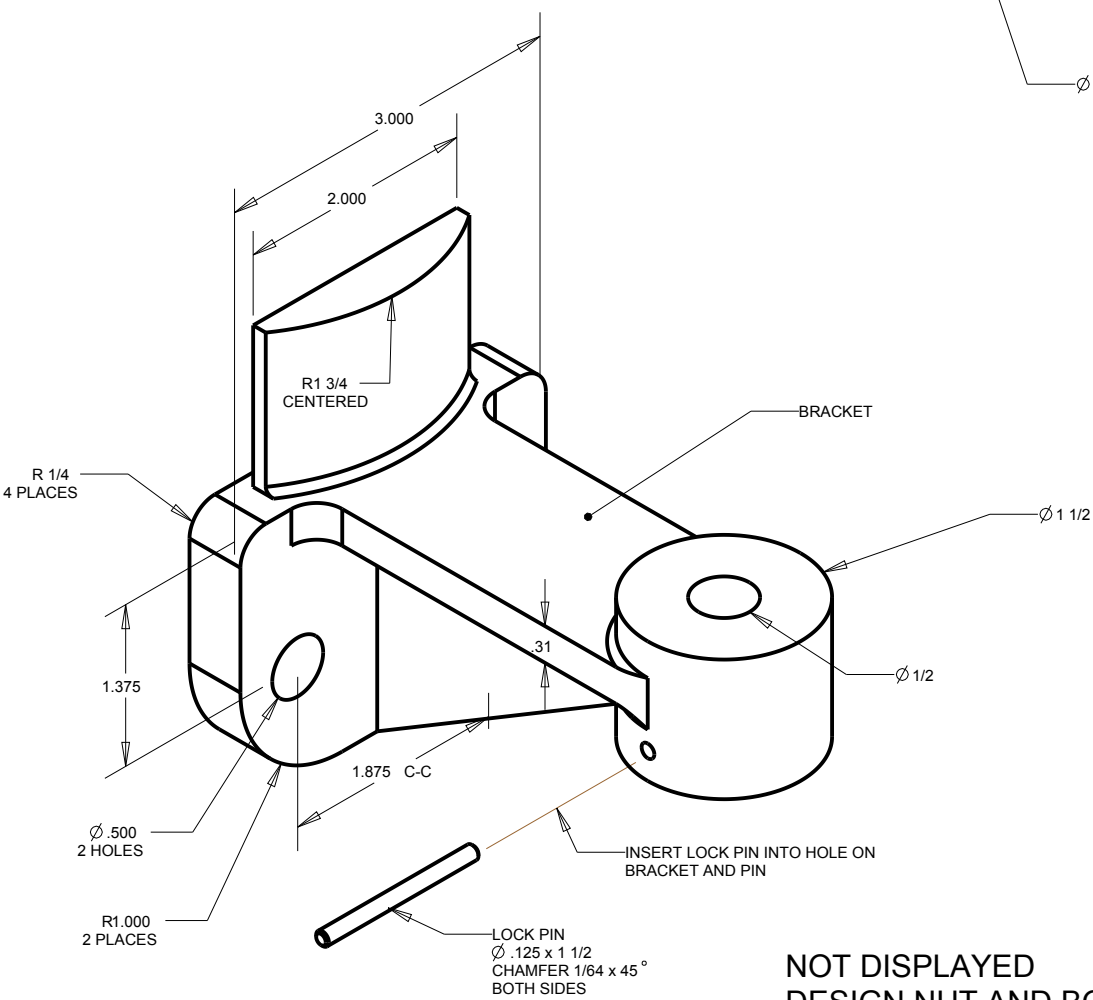
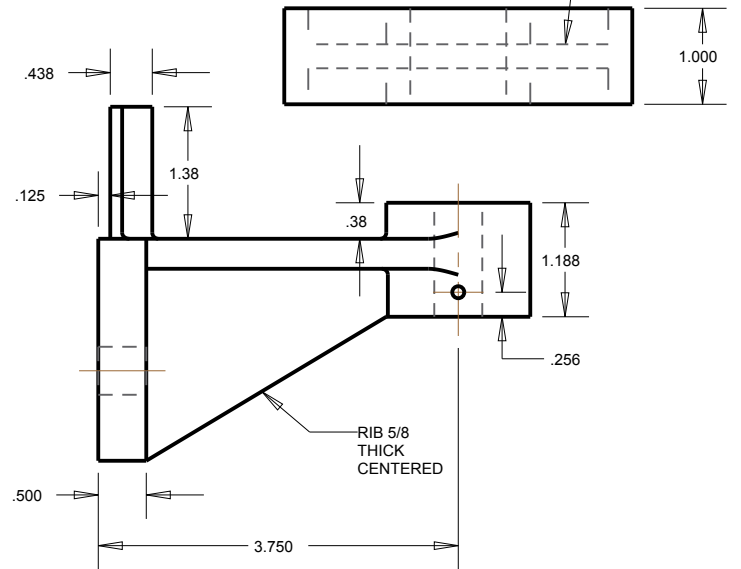
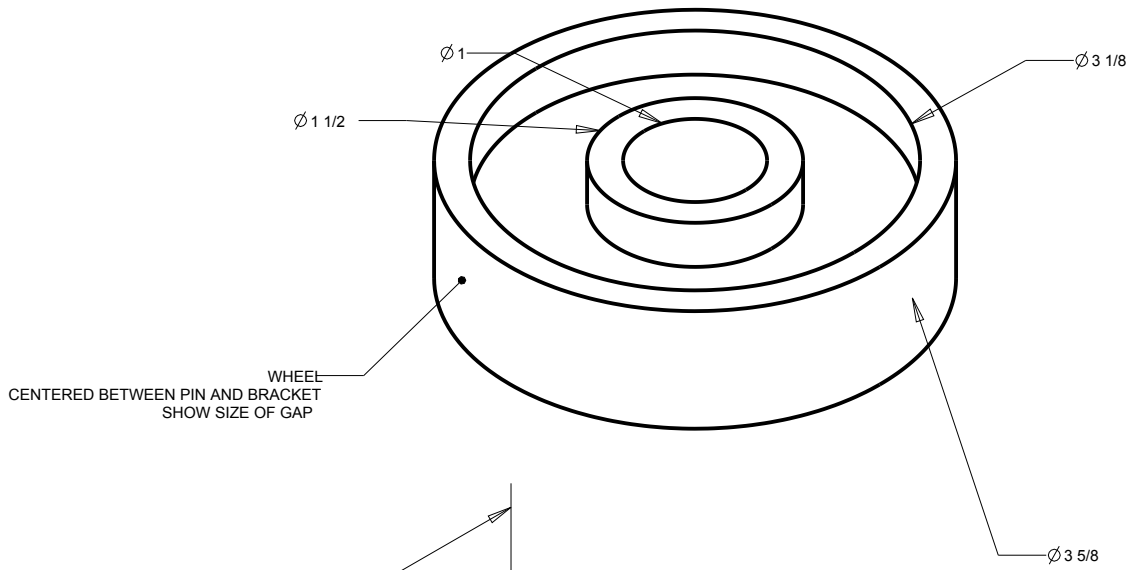


PLATE CENTERED
1/4 THICK



NOT DISPLAYED
DESIGN NUT AND BOLT TO BE ATTACHED TO WALL
BOLT INFO:

- a. Bolt Information 1/2-13UNC-2
- b. Bolt Length 3 (includes head)
- c. Thread length 1.25

USE REFERENCE MATERIALS TO FIND SIZE
OF BOLTHEAD AND NUT HEIGHT
HELICAL CUT THREADS
SHOW NUT AND BOLT IN FINAL ASSEMBLY

KEY

- OD= Outside Diameter
- ID= Inside Diameter
- LG= Long
- C-C= Center to Center
- UNMARKED ROUNDS AND FILLETS R .0625