

SAMPLE LAYOUT

LAYOUT 2 VIEWS:

1. CONCENTRIC CIRCLE VIEW
2. SECTION VIEW

LAYOUT VIEWS HORIZONTALLY: CONCENTRIC CIRCLE VIEW TYPICALLY PLACED LEFT OF THE PROFIL VIEW

VERTICALLY: CONCENTRIC CIRCLE VIEW TYPICALLY PLACED ABOVE OF PROFILE VIEW

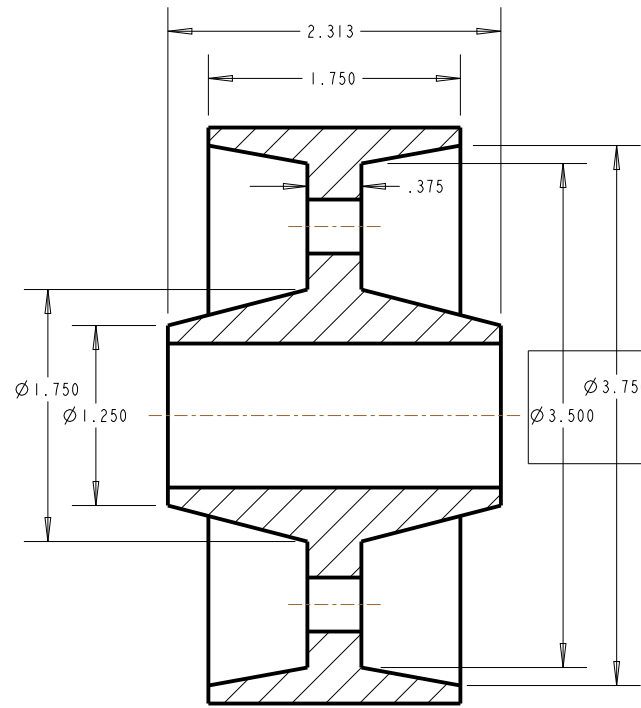
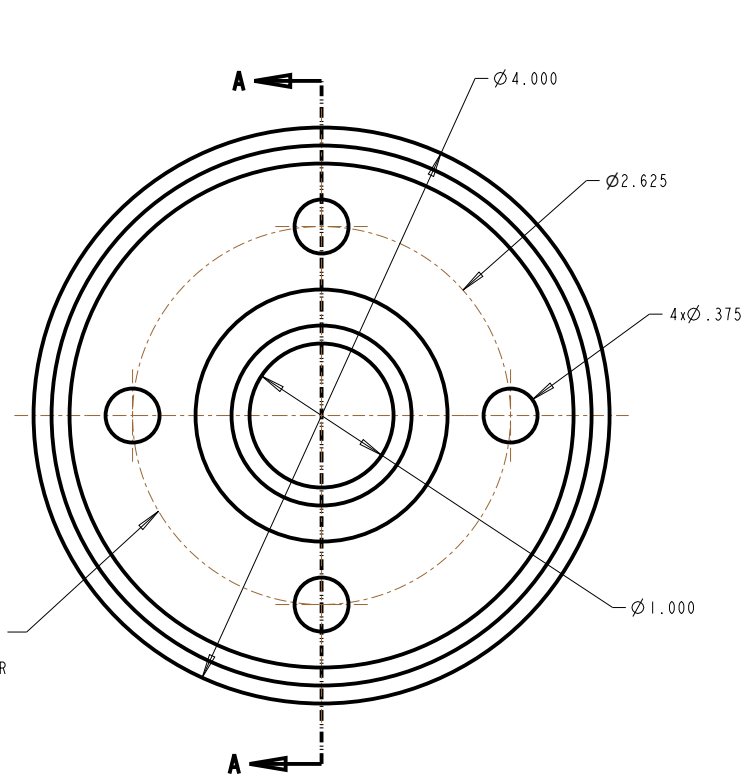
DIMENSION FEATURES (SHOW DIMENSIONS WHERE USER CAN SEE IF THE CIRCLE IS COMING TOWARDS OR AWAY FROM THEM)

BOLT CURVE DRAW USING SKETCH CIRCLE TOOL

ADD \varnothing IN FRONT DIMENSIONS THAT NEED IT

STAGGER DIMENSIONS IF NEEDED

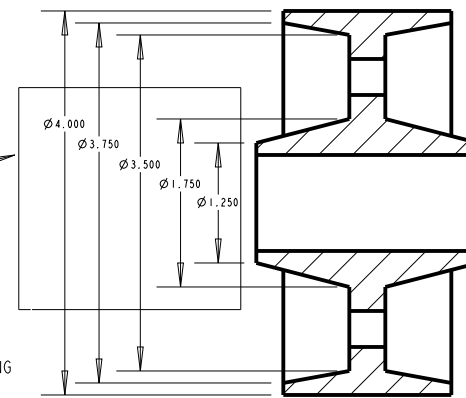
DESIGNER NOTE: BOLT CURVE
DRAWN AND RELATED TO VIEW
> DIMENSION DIAMETER



SECTION A-A

SAMPLE STAGGER DIMENSIONING

1. ADD DIAMETER SYMBOL
2. STAGGER DIMENSION IN ONE DIRECTION AS NEEDED TO SPACE VALUES AND EASE OF READING



SECTION A-A